

# POWER DIST. MODULE SEALED - 72 POSITION

**GEP**  
POWER PRODUCTS

**NEW**

**IP66**

This sealed, compact and rugged module is an excellent power distribution solution for marine, construction, agriculture, heavy trucking, and specialty vehicle industries. It accommodates 72 terminal positions to provide component flexibility for the increasing demands of modern electrical systems.

**Voltage Rating:** 32VDC **Terminal Rating:** 30A per terminal.

**Terminal Capacity:** 72 terminals on a layout matrix of (6 x 12).

**Components:** Accepts Mini fuses, Mini bladed circuit breakers, ISO 280 Micro relays and ISO 280 Flashers.

**Mounting:** Top or side mount options. 10.5mm moulded holes.

2 x M6 threaded mounting clips included. They are removable.

Inserted for top mount arrangement. Spare part # PDM-TMC.

**Housing:** Thermoplastic, black PBT Polyester. **Cover Seal:** Silicone.

**Ingress Protection Rating:** IP66

(Valid when properly installed with cover, cable seals and cavity plugs).

**Wire Size:** #22 - #10 AWG / 0.35mm<sup>2</sup> - 5mm<sup>2</sup>

**Cavity Plugs:** Required to fill unused output cavities for ingress protection.

**Cable Seals:** Please check the overall diameter of your cable before ordering cable seals.

**Terminal Tools:** Terminal crimping & removal tools available.

**Temperature Rating:** -40°C to +125°C (Module only)

**Not Included:** Terminals, cable seals, cavity plugs or mounting screws.

Module does not include any plug-in components such as fuses, circuit breakers, relays etc.

**Features:** Gang mount feature. Interconnect multiple modules side-by-side. Terminal numbering on rear of base.

**Options:** Custom labels and kits. **Approvals:** [RoHS](#)



**72 Way PDM**



**Top View**



**Rear View**



**TPA: PDM-ST1**  
Secures 12 Positions



**TETHER: PDM-SCT**  
Links Cover with Base

Part Number	Description
PDM-S3AC1	PDM Housing 72 Pos, Seal, Cover & 2x Mtg. Clips.
PDM-SCT	PDM Tether Black Flexible (110-160mm Max).
PDM-ST1	TPA Terminal Position Assurance, 6pcs Required
12084201	Terminal Female (#22-20AWG), 0.35 - 0.5mm <sup>2</sup>
12077411	Terminal Female (#18-16AWG), 0.80 - 1.0mm <sup>2</sup>
12129493	Terminal Female (#14-12AWG), 2.0 - 3.0mm <sup>2</sup>
12077413	Terminal Female (#10AWG), 5.0mm <sup>2</sup>
15324983	Cable Seal Dark Red, 1.70 - 1.29mm Cable Diameter
15324982	Cable Seal Green, 2.85 - 2.03mm Cable Diameter
15324980	Cable Seal Grey, 3.49 - 2.81mm Cable Diameter
15324981	Cable Seal Blue, 4.30 - 3.45mm Cable Diameter
12010300	Cavity Plug Green, 6.7mm Cavity inside Diameter
PDM-TK	Diode Key Red Plastic. Drops into PDM Base Slots

## ACCESSORIES: Delphi Metri-Pack 280

### TERMINALS: TANGED

Female Sealed,  
Tin Brass / Tin Plated



**CABLE SEALS:**  
**CAVITY PLUG:**  
Silicone



## RELATED PRODUCTS:



**Mini Fuses, LED Fuses,  
Circuit Breakers,  
Transistors, Diodes,  
Shunts & Diode Key**



**ISO 280 Relays  
Ultra Micro,  
Micro & Mini.  
12VDC & 24VDC.**



**Terminal, Seal  
& Plug Kits.  
TERMKIT003**



**Tanged Cables,  
Jumpers, Splice  
Connectors,**



**Crimping Tools &  
Terminal Removal  
Tool.**

Datasheet: 9034

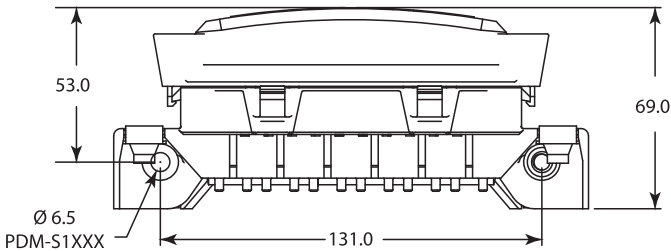
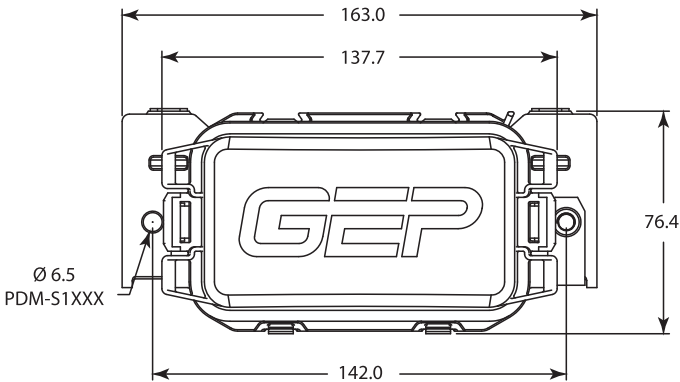
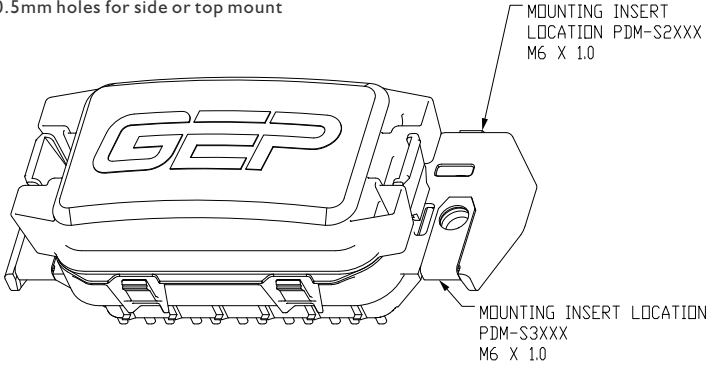
**PROLEC**

Email: [info@prolecproducts.com](mailto:info@prolecproducts.com)  
Web: [www.prolecproducts.com](http://www.prolecproducts.com)

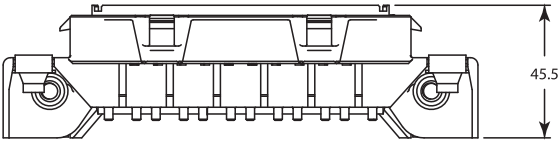
Page: 1



Series P/N	Mounting Configuration
PDM-S1xxx	6.5mm holes for side or top mount
PDM-S2xxx	Side mount with threaded insert
PDM-S3xxx	Top mount with threaded insert
PDM-S4xxx	10.5mm holes for side or top mount



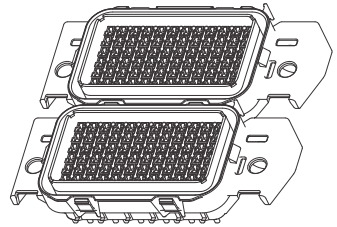
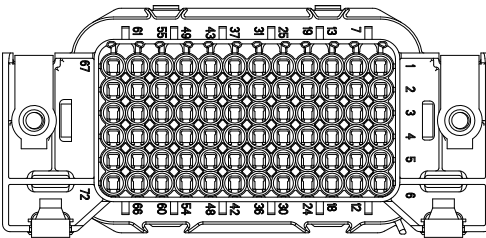
Dimensions in MM



Dimensions in MM

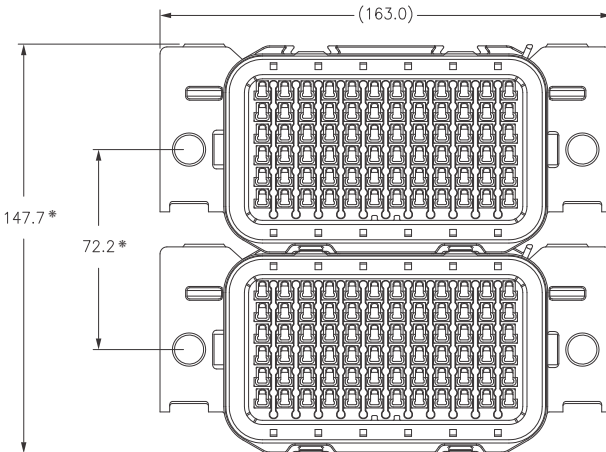


### Terminal Numbering



Units are Gangable

### Ganged Units



\*Dimension increases by 72.2mm for each additional module

## Component Layout Samples



	A	B	C	D	E	F	G	H	I	J	K	L
	Empty Module (72 positions)											
1												
2												
3												
4												
5												
6												

	A	B	C	D	E	F	G	H	I	J	K	L
	36 Mini fuses / Circuit Breakers											
1	Fuse	Fuse	Fuse	Fuse	Fuse	Fuse						
2	Fuse	Fuse	Fuse	Fuse	Fuse	Fuse						
3	Fuse	Fuse	Fuse	Fuse	Fuse	Fuse						
4	Fuse	Fuse	Fuse	Fuse	Fuse	Fuse						
5	Fuse	Fuse	Fuse	Fuse	Fuse	Fuse						
6	Fuse	Fuse	Fuse	Fuse	Fuse	Fuse						

	A	B	C	D	E	F	G	H	I	J	K	L
	18 Ultra Micro relays											
1	Ultra Micro Relay	Ultra Micro Relay	Ultra Micro Relay	Ultra Micro Relay	Ultra Micro Relay	Ultra Micro Relay						
2	Ultra Micro Relay	Ultra Micro Relay	Ultra Micro Relay	Ultra Micro Relay	Ultra Micro Relay	Ultra Micro Relay						
3	Ultra Micro Relay	Ultra Micro Relay	Ultra Micro Relay	Ultra Micro Relay	Ultra Micro Relay	Ultra Micro Relay						
4	Ultra Micro Relay	Ultra Micro Relay	Ultra Micro Relay	Ultra Micro Relay	Ultra Micro Relay	Ultra Micro Relay						
5	Ultra Micro Relay	Ultra Micro Relay	Ultra Micro Relay	Ultra Micro Relay	Ultra Micro Relay	Ultra Micro Relay						
6	Ultra Micro Relay	Ultra Micro Relay	Ultra Micro Relay	Ultra Micro Relay	Ultra Micro Relay	Ultra Micro Relay						

	A	B	C	D	E	F	G	H	I	J	K	L
	12 Micro relays											
1	Micro Relay	Micro Relay	Micro Relay	Micro Relay	Micro Relay	Micro Relay						
2	Micro Relay	Micro Relay	Micro Relay	Micro Relay	Micro Relay	Micro Relay						
3	Micro Relay	Micro Relay	Micro Relay	Micro Relay	Micro Relay	Micro Relay						
4	Micro Relay	Micro Relay	Micro Relay	Micro Relay	Micro Relay	Micro Relay						
5	Micro Relay	Micro Relay	Micro Relay	Micro Relay	Micro Relay	Micro Relay						
6	Micro Relay	Micro Relay	Micro Relay	Micro Relay	Micro Relay	Micro Relay						

	A	B	C	D	E	F	G	H	I	J	K	L
	3 Mini relays or Flashers											
1	Mini Relay or Flasher			Mini Relay or Flasher				Mini Relay or Flasher				
2	Mini Relay or Flasher			Mini Relay or Flasher				Mini Relay or Flasher				
3	Mini Relay or Flasher			Mini Relay or Flasher				Mini Relay or Flasher				
4	✕	✕	✕	✕	✕	✕	✕	✕	✕	✕	✕	✕
5												
6												

	A	B	C	D	E	F	G	H	I	J	K	L
	Sample Assortment											
1	Mini Relay or Flasher	Micro Relay	Fuse	Mini Relay or Flasher								
2	Mini Relay or Flasher	Micro Relay	Fuse	Mini Relay or Flasher								
3	Mini Relay or Flasher	Micro Relay	Breaker	Mini Relay or Flasher								
4	✕	✕	✕	✕	✕	✕	✕	✕	✕	✕	✕	✕
5	Micro Relay	Micro Relay	Ultra Micro Relay	Ultra Micro Relay	Fuse							
6	Micro Relay	Micro Relay	Ultra Micro Relay	Ultra Micro Relay	Breaker							

**Component information:**

1. Fuses, Breakers, diodes etc. use 2 positions (1x2).
2. Ultra Micro Relays used 4 positions (2x2).
3. Micro Relays use 6 positions (3x2).

- Unusable position
- Empty position

**Mini Relays & Flasher Relays:**

1. Cannot be fitted directly beside each other.
2. Maximum of 3 can be fitted.
3. Each one covers 12 positions.