

The 2 Pole High Power Distribution Module (HPDM) provides two high current Mega fuse protected circuit outputs as well as an un-fused output that can optionally be used to parallel multiple modules or deliver power to circuits which do not require circuit protection or to daisy chain multiple devices.

IP67 IP69K 48V

Part Number	Description	
0301887	2 Pole with cover 32V	NEW
880195400	2 Pole with cover 48V	

Voltage: See above.

Max Input Current: 600A

Max Fuse Rating Per Circuit: 300A

Fuse Nuts: 4 x M8 (included)

Fuse Nut Torque: 15Nm +/- 1.5Nm

Input Studs: 1 x M8, 3 x M10

Input Studs Nut Torque:

M8 Tightening Torque 15Nm +/- 1.5Nm

M10 Tightening Torque 28.5Nm +/- 1.5Nm

Mounting Holes: M8

Mounting Torque: M8 Chassis Torque 15Nm +/- 1.5Nm

Flammability Rating: UL94-V0

Temperature Rating: -50°C to +105°C.

Kit Contents: Includes cover & gasket.

IP Rating: IP67, IP69K

Dimensions: 129 x 125 x 45mm

Kit Contents: Includes PDM with tethered cover, 4 x nuts for fuse studs & 4 x nuts for input studs.

Notes: Fuses not included.

***Unfused Input / Output Studs**

M10 Stud*

M10 Stud*

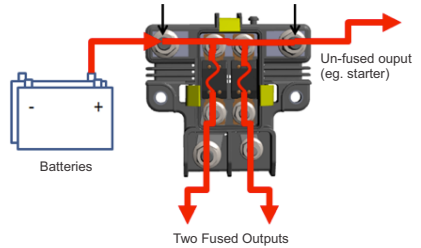
M8 Mount

Output A
M10 Stud

Output B
M8 Stud

M8 Mount

Either side can be input or un-fused output



The 2-Pole High Power Distribution Module (HPDM) is designed for OEM and aftermarket applications in the heavy truck and trailer industry.

Features and Benefits

- Separate fuse compartment provides a seal that protects the fuses and their terminations from harsh environments. This allows for permanent cable connections that can be dielectrically sprayed without affecting the fuse.
- Custom insert-molded studs for input/output cable terminations and MEGA® fuse attachment, resulting in high terminal torque capability and lower connection resistance.
- Designed to minimize bridging corrosion between positive live metal surfaces and potentially grounded assembly hardware or mounting surfaces.
- Metal inserts at the mounting holes allows for an increased assembly torque without distorting the base material.
- Optional un-fused terminal for daisy chaining multiple devices or providing power distribution to circuits which cannot be fused, which can be either side.
- AssureLatch™ Technology positive-sealing latches keep the cover securely in place while allowing for fast service.
- Cover label recess allows optional addition of application specific labels per end-customer requirements.
- A Gore vent on the underside of the module allows pressure to be released to maintain IP ratings at higher temperatures.



RELATED PRODUCTS:



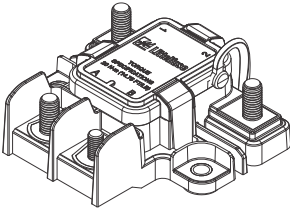
Mega Fuse 32V



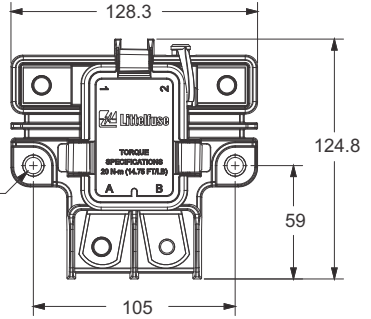
Mega Fuse 70V



Tubular Terminals
M8 & M10



2 x Ø8.5
Mounting Holes
for M8 Hardware



Dimensions in MM

