

# 6 X AUTO FUSE & 4 X MIDI FUSE PDM



Protect high and low-amp circuits via single power input stud with a collection point for ground returns. Ignition protected fuse block with screw termination.

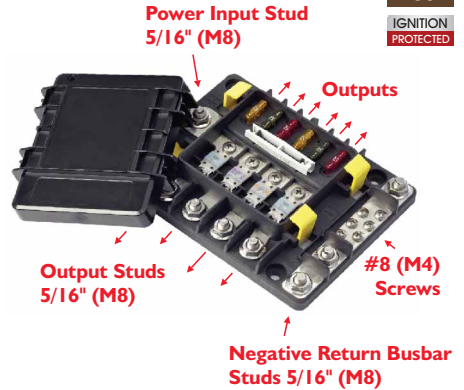


## Features:

- 600A Continuous Current Rating. 10 Fuse Output Circuits.
- One common power input stud feeds power to all fuses.
- Protects up to 4 high-amp and 6 low-amp circuits, (30A-200A MIDI® fuses and 1A-40A ATO® fuses).
- Negative bus provides common location for ground returns.
- Eliminates battery-box clutter, saves space & reduces cost.

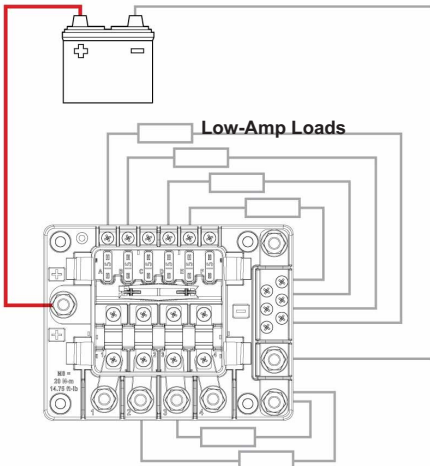
Part Number	Description
880089	Power Dist Module 600A

**Voltage:** 60VDC (limited by fuses)  
**Max Total Cont. Current:** 600A (2 x 4/0 feed cables)  
**Max Cont. Current Per Circuit:** 170A (Midi) / 30A (Auto).  
**Recommended Ring Terminal:** M8 (5/16")  
**Stud Size:** 4 x M8 (5/16")  
**Temperature Rating:** -50°C to +125°C.  
**Shock:** 50G  
**Vibration:** 8G  
**Salt Spray:** 1,080 hours  
**Kit Contents:** Includes fuse puller & cover with gasket.  
**IP Rating:** IP59K  
**Ignition protected:** Meets ISO 8846 & SAE J1171  
**Dimensions:** 165 x 127 x 51 mm  
**Notes:** Auto fuses & Midi fuses not included.

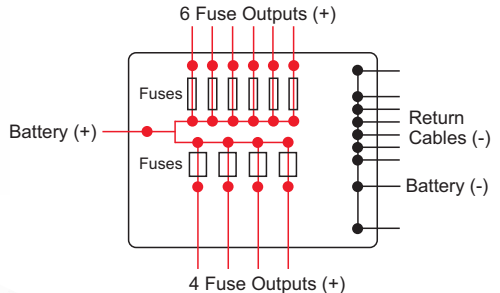


Rugged box with Assure-Latch Technology is sealed to IP59K and designed to protect fuses from high-pressure, high temperature washing or ingress of road splash. Provides the benefits of a sealed cover, but allows water to escape if the cover is mistakenly unsecured. Overlapped cover overlap design prevents accidental contact with terminals for cable connection.

Includes ATO® fuse puller and storage space for 4 x spare fuses (2 x Midi, 2 x Auto) in the cover which is tethered to prevent loss. Ignition protected to SAE J1171 and ISO 8846 for installation in a battery box or on vehicles carrying hazardous loads. Compact unit fits conveniently inside or near battery boxes. Power for all 10 fuses is supplied via a single input stud.

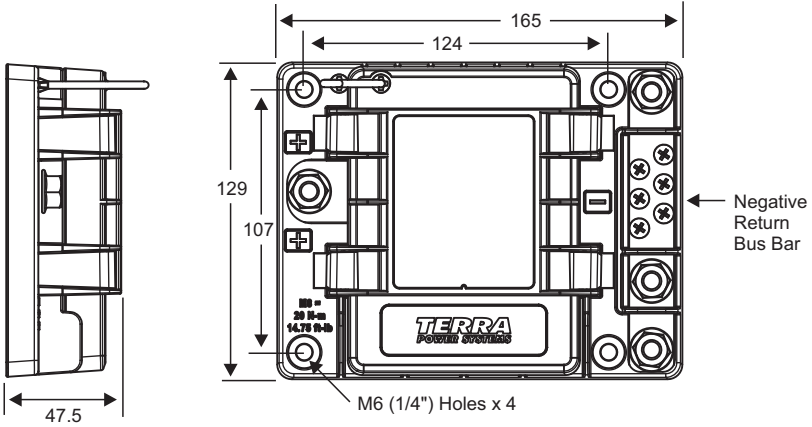


## CIRCUIT DIAGRAM

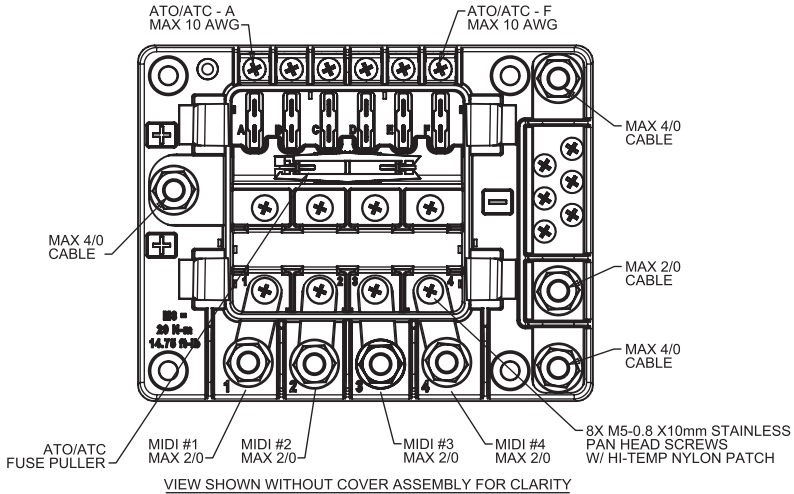


## RELATED PRODUCTS:





Dimensions in MM



### SPARE FUSE STORAGE

The cover includes storage space for 4 x spare fuses (2 x Midi, 2 x Auto Blade fuses) which are fitted using the included screws.

