

4 X AUTOFUSE & 3 X MIDI FUSE POWER DIST. MODULE

Littelfuse / Terra Power Sys
XT Series

NEW

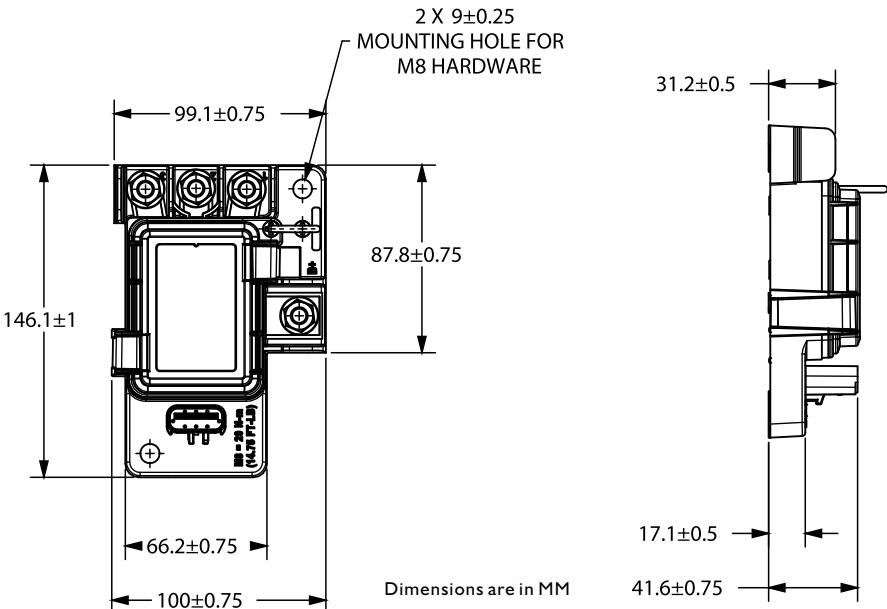
IP59K

IGN

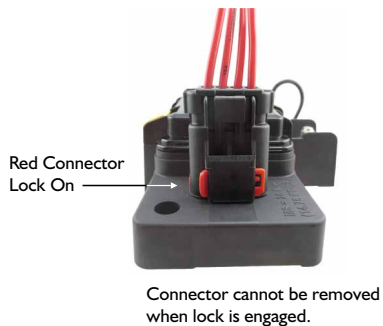
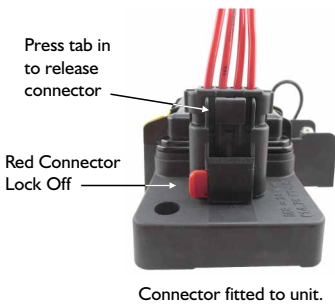
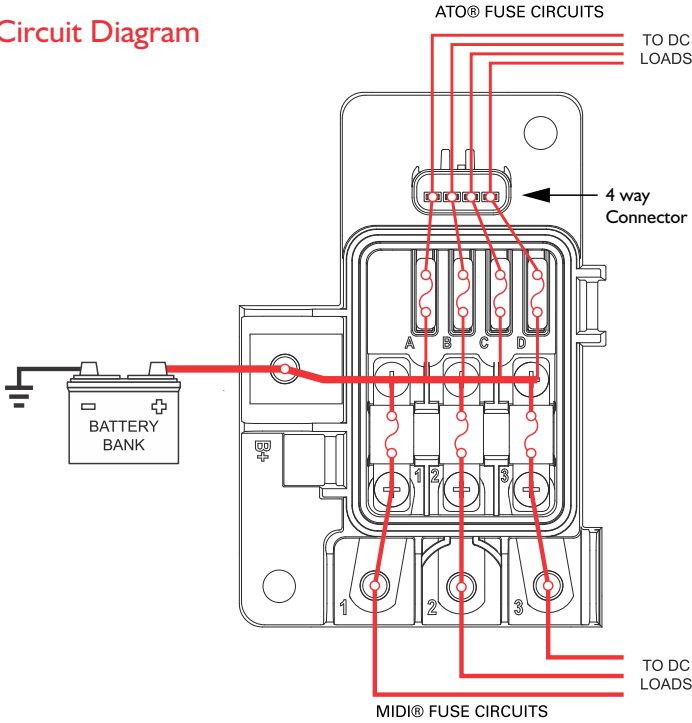
Protect high and low-amp circuits with this PDM. Holds 3 x MIDI fuses and 4 x Auto fuses. The Auto fuse output circuits are wired to an integrated sealed 4-way connector (P/N: XTCK4). A common power input stud provides power for the 7 fuses via a tin-plated copper busbar. Stainless steel studs and hardware provides superior corrosion resistance. Cover & gasket included.

Part Number	Description
880073	Power Dist Module 350A
XTCK4	4 Way Connector kit (refer page 3).

Voltage: 32VDC (limited by fuses).
Maximum Continuous Current : 350A.
Max Fuse Rating Per Circuit (Midi): 170A.
Max Fuse Rating Per Circuit (Auto): 30A.
Power Input Stud: M8 (300A max.) stainless steel
Midi Fuse Output Studs: M8 stainless steel
Input & Output Studs Torque: 20Nm
Midi Fuse Screw: M5 x 6pcs (+ 2 spare screws)
Midi Fuse Screw Torque: 3 Nm
Body Material: Glass filled nylon 94V-0
Cover Material: PC 94V-0
Temperature Rating: -55°C to +125°C.
Mounting: 2 holes for M8 bolts.
Kit Contents: Includes cover, nuts & screws.
IP Rating: IP59K
Ignition protected: Meets ISO 8846 & SAE J1171
Notes: A connector is required for the Autofuse outputs. Fuses and connector not included.



Circuit Diagram



4 WAY SEALED CONNECTOR KIT

Prolec

Part Number	Description
XTCK4	4 Way Connector kit includes connector & terminals.
CT-P78	Terminal Crimp Tool

Cable Size: # 16 to # 14 (1 to 2mm²)
Max Insulation Diameter: 2.77mm
Terminal Material: Cu TeSn/CuBe, Tin plated



Assembly Instructions:



Step 1. Gently pry the cable cover off using a small flat head screw driver.



Step 5. Crimp terminal to insulation. Repeat for each of the 4 cables.



Step 2. Remove the lubricated silicone seal using a small pin or paperclip.



All terminals now crimped onto cables.



Step 3. Insert wires through cable cover and silicone seal.



Step 6. Insert terminals into connector, fit the seal and lock the cover into place.



Step 4. Crimp terminal to wire. Repeat for each of the 4 cables.



Step 7. Press the blue terminal lock back into the connector, so it clicks into place.