

FUSE LINK BENT MALE TERMINAL 32V



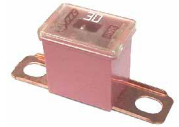
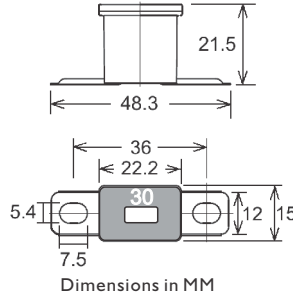
Part Number	Ampere Rating	Body Type	Body Colour
SBF030	30A	Small	Pink
SBF040	40A	Small	Green
SBF050	50A	Small	Red
SBF060	60A	Small	Yellow
SBF070	70A	Small	Brown
SBF080	80A	Small	Black
SBF100	100A	Small	Blue
SBF120	120A	Small	White
SBF140	140A	Small	Maroon

Voltage: 32VDC **I.R.:** 1000A at 32VDC

Characteristic: Slow Acting

Pack Size: 1, 10, 100

Approvals: ISO 8820 / JASO D612 RoHS



Small Body
36mm Fixing

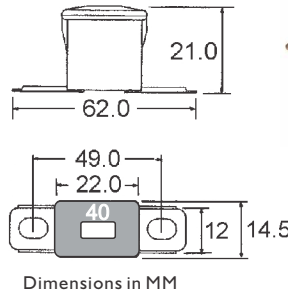
Part Number	Ampere Rating	Body Type	Body Colour
LBF030	30A	Large	Pink
LBF040	40A	Large	Green
LBF050	50A	Large	Red
LBF060	60A	Large	Yellow
LBF070	70A	Large	Brown
LBF080	80A	Large	Black
LBF100	100A	Large	Blue
LBF120	120A	Large	White
LBF140	140A	Large	Maroon

Voltage: 32VDC **I.R.:** 1000A at 32VDC

Characteristic: Slow Acting

Pack Size: 1, 10, 100

Approvals: ISO 8820 / JASO D612 RoHS



Large Body
49mm Fixing

FUSE LINK STRAIGHT MALE TERMINAL 32V



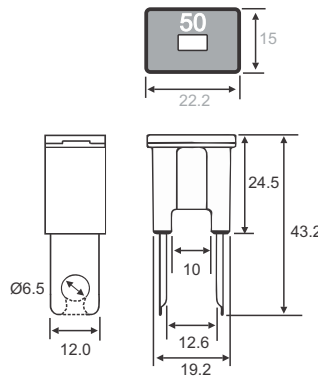
Part Number	Cut Out Terminal Part Number	Ampere Rating	Body Colour
BTF030	BTCF030	30A	Pink
BTF040	BTCF040	40A	Green
BTF050	BTCF050	50A	Red
BTF060	BTCF060	60A	Yellow
BTF070	BTCF070	70A	Brown
BTF080	BTCF080	80A	Black
BTF100	BTCF100	100A	Blue
BTF120	BTCF120	120A	White
BTF140	BTCF140	140A	Maroon

Voltage: 32VDC **I.R.:** 1000A at 32VDC

Characteristic: Slow Acting

Pack Size: 1, 5, 10, 100

Approvals: ISO 8820 / JASO D612 RoHS



BTF Series
Circular Hole



NEW

BTCF Series
Cut Out Hole