

COMMON BUSBAR MAXI



NEW

Features:

- Heavy duty busbar terminal block.
- Insert-molded stainless steel studs.
- One-piece serrated flange nuts ensure correct and secure connection.

Part Number	Busbar Studs
880118	4 x 5/16"-18

Rating: 250A

Voltage: 300VAC / 48VDC

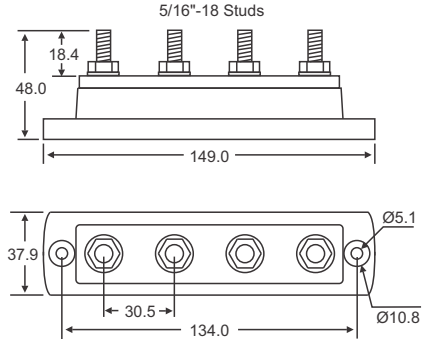
Body: Black

Bus Material: Tin plated copper

Studs: 5/16"-18 (M8)

Mounting Holes: 5mm

Pack Size: 1, 10, 50, 100



Dimensions in MM

COMMON BUSBAR POWER



NEW

Features:

- Compact heavy duty busbar terminal block.
- Insert-molded stainless steel studs.
- One-piece serrated flange nuts ensure correct and secure connection.

Part Number	Busbar Studs
880097	2 x 3/8"-16

Rating: 600A

Voltage: 48V

Body: Glass reinforced polycarbonate

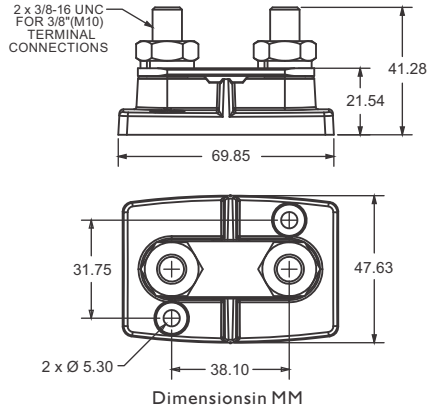
Studs: 3/8"-16 (M10)

Mounting Holes: #10 or M5 screws

Hardware: Stainless steel nuts & washers included.

Bus Link: Tin plated copper

Pack Size: 1, 10, 50, 100



Dimensions in MM