

STUD TYPE JUNCTION BLOCKS



Heavy-duty ground or power connection points for DC circuits. Compact profile with insulated base. Ideal for creating a centralized power distribution or grounding point.

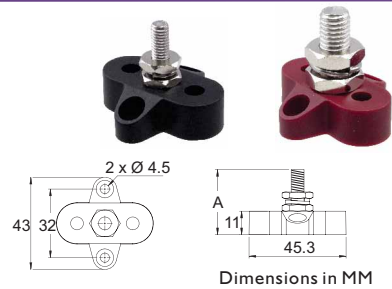
Single Stud JBS

Part Number	Body Colour	Thread Size	Height A (mm)	Stud Amp Rating
JBSM6B	Black	M6	30	100A
JBSM6R	Red	M6	30	100A
JBSM8B	Black	M8	31	200A
JBSM8R	Red	M8	31	200A
JBSM10B	Black	M10	34	300A
JBSM10R	Red	M10	34	300A

Voltage: 48VDC max.

Body: Nylon, glass fibre reinforced.

Studs & Hardware: Stainless steel (included).



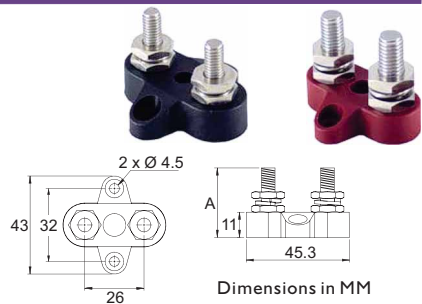
Dual Stud JBD

Part Number	Body Colour	Thread Size	Height A (mm)	Stud Amp Rating
JBDM6B	Black	2 x M6	30	100A
JBDM6R	Red	2 x M6	30	100A
JBDM8B	Black	2 x M8	31	200A
JBDM8R	Red	2 x M8	31	200A

Voltage: 48VDC max.

Body: Nylon, glass fibre reinforced.

Studs & Hardware: Stainless steel (included).



Dual Stud With 80A Busbar Link JBDB

Part Number	Body Colour	Thread Size	Height A (mm)	Stud Amp Rating
JBDBM6B	Black	2 x M6	30	100A
JBDBM6R	Red	2 x M6	30	100A
JBDBM8B	Black	2 x M8	31	200A
JBDBM8R	Red	2 x M8	31	200A

Voltage: 48VDC max.

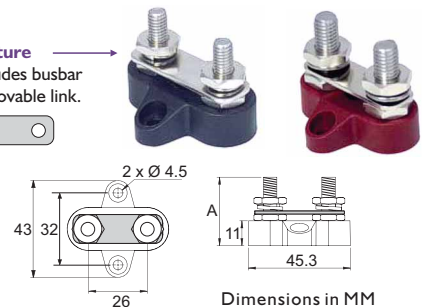
Link Rating: 80A max.

Link Material: Nickel plated brass.

Body: Nylon, glass fibre reinforced.

Studs & Hardware: Stainless steel (included).

Feature →
Includes busbar removable link.



Dual Stud With Stud Barrier JBDFM

Part Number	Body Colour	Thread Size	Height A (mm)	Stud Amp Rating
JBDFM8B	Black	2 x M8	32.5	100A
JBDFM10B	Black	2 x M10	35.5	200A
JBDFM810B	Black	1 x M8 + 1 x M10	35.5	300A

Voltage: 48VDC max.

Body: Nylon, glass fibre reinforced.

Studs & Hardware: Stainless steel (included).

Notes: Provides a termination point for extending the length of harnesses or other conductors. Use dual entry cable insulators to protect from accidental short circuits.

Feature →
Includes stud barrier.

